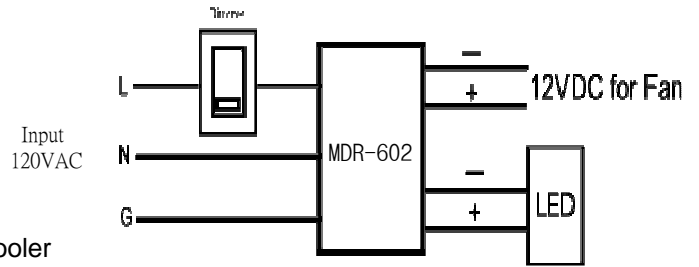


SPECIFICATIONS

Features

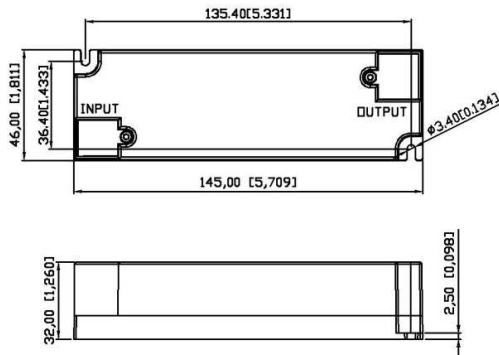
- Work for most 3-wire/2-wire dimmer
- Compact size/ Low profile
- Constant Current Output
- Active Power Factor
- Class II compliance
- 5 Year Warranty
- 12VDC AUX Output for Fan/Active cooler
- Restart at Lowest Dimming setting

Wiring Diagram



Mechanical and Thermal

Dimension L 5.709" × W 1.811" × H 1.260"
 Lead Wire Length Push In Connector
 Max. Case Operation Temp. 80°C



* Dimension in Inch/Metric

Protection

- Auto-reset electronic short circuit
- Overload protection
- Thermal protection
- Class II
- Cold Start

Environmental Specifications

- MTBF >100,000 hrs
- RoHS Compliant
- Lead Free SMT process
- Power Factor Correction / Low Load

Electrical

| | |
|---|--------------|
| Maximum Load | 28W |
| Minimum Load | 26W |
| Input Voltage | 120V |
| Max Output Voltage/Current | 23VDC/1750mA |
| Power Factor | >0.90 |
| Max. Harmonic Distortion | <20% |
| Efficiency | 80 typ. |
| No Load Loss | <1 W |
| TRIAC dimmable (2 wire & 3 wire dimmer) | |
| (see dimming compatibility) | |



Note –

1. UL file No.: E340871



Macron Associate Co. – Power Supply Team

NO.352, Peng-Yi Road, Taiping, Taichung, Taiwan 411

TEL: 886-4-22708357 FAX: 886-4-22767307 Email: macron@macrongroup.com

B1214